

TYPE "SN"

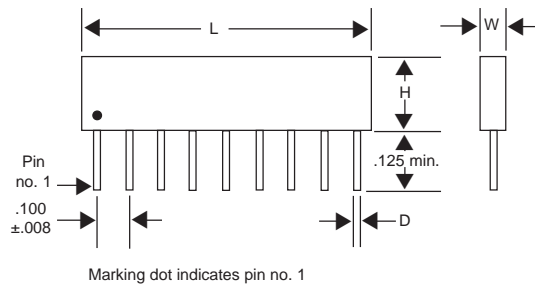
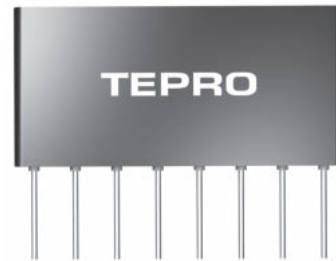
TEPRO



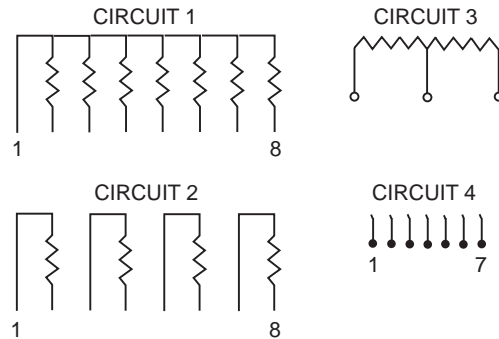
ULTRA PRECISION THIN FILM SIP NETWORKS

FEATURES:

- Temperature coefficients to $\pm 1\text{ppm}/^\circ\text{C}$
- Tolerances to $\pm 0.01\%$
- Superior TCR tracking to $\pm 0.5\text{ppm}/^\circ\text{C}$
- Ratios available to $.005\%$
- Custom circuit schematics available
- 3 through 11 pin packages



STANDARD CIRCUITS



GENERAL SPECIFICATIONS:

- Elements: Vacuum deposited nickel - chrome alloy
- Terminals: Tinned copper leads, solderable / weldable Type C
- Operating temperature range: -55°C to $+125^\circ\text{C}$
- Insulation resistance: Greater than $10^6\text{M}\Omega$
- Dielectric strength: 300 VRMS (min.)
- Voltage coefficient: 5ppm/volt (max.)
- Noise factor: Below -20db

HOW TO ORDER:

Sample Part No: SN6 - 08 - 1 - 1000 Ω - 0.1% - 25ppm

Tepro Type _____

Number of pins _____

Circuit number _____

Resistance value _____
(expressed in ohms)

Tolerance (± 0.01 to 1.0%) _____

Temperature coefficient _____
($\pm 1\text{ppm}$ to $\pm 50\text{ppm}$)

STANDARD CONFIGURATIONS AND ELECTRICAL SPECIFICATIONS:

RANGE TEPRO TYPE	NUMBER PINS	DIMENSIONS (Inches)				RESISTORS PER PACKAGE	PACKAGE POWER (Watts)	RESISTANCE	
		L $\pm .010$	W $\pm .010$	H MAX.	D $\pm .002$			MIN. (Ohms)	MAX. (Ohms)
SN-603-1	3	.320	.130	.350	.016	2	.250	10	2M
SN-604-1	4	.420	.130	.350	.025	3	.375	10	10M
SN-605-1	5	.520	.130	.350	.025	4	.500	10	10M
SN-606-1	6	.620	.130	.350	.025	5	.625	10	10M
SN-607-1	7	.720	.130	.350	.025	6	.750	10	10M
SN-608-1	8	.820	.130	.350	.025	7	.875	10	10M
SN-609-1	9	.920	.130	.350	.025	8	1.000	10	10M
SN-610-1	10	1.020	.130	.350	.025	9	1.125	10	10M
SN-611-1	11	1.120	.130	.350	.025	10	1.250	10	10M