

TYPE "TMG"

TEPRO



ALUMINUM HOUSED, HIGH HEAT TRANSFER CORES

FEATURES:

- Molded construction
- High purity cores for optimum heat dissipation
- Even heat distribution curve
- Extremely high stability at conventional power ratings



VARIATIONS:

- Special TC on request
- Closer tolerances to .01%
- Terminal material and configuration
- Power conditioning

GENERAL

SPECIFICATIONS:

Same as TM series on pages 12 and 13
Notes:

- The use of high purity cores permits "TMG" types to be operated at significantly higher wattages than conventional types. The outstanding thermal conductivity of high purity cores, coupled with TEPRO time-proven, high-temperature silicone protection results in superior performance and optimum power to size ratio.
- When operated at rated power, termination by welding or high-temperature solder is recommended.

Power rating: Based on;

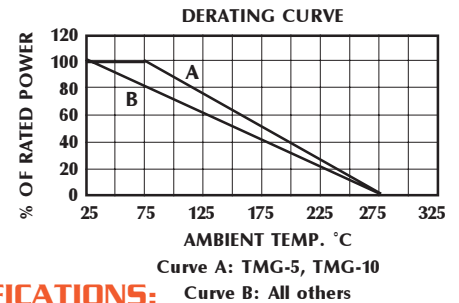
- full power operation at 25°C ambient
- 1% maximum ΔR in 1000 hour load life
- maximum hotspot 275°C
- mounting on proper heat sink

Recommended heat sink:

- Aluminum chassis;
- 6 x 4 x 2 x .040 TMG-5, TMG-10
- 7 x 5 x 2 x .040 TMG-25, TMG-50

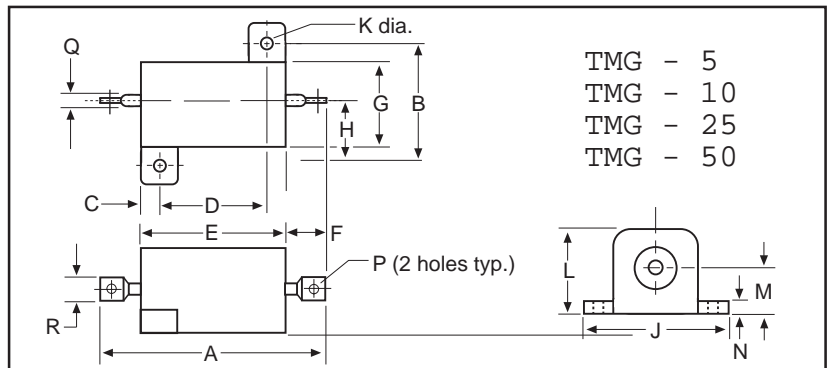
DERATING:

Operation in ambients above 25°C and on reduced chassis areas requires derating in accordance with the accompanying curve.



ENVIRONMENTAL SPECIFICATIONS:

TEST	MIL-R-18546C MAX.
Load life	$\pm (1\% + 0.05\Omega) \Delta R$
Moisture resistance	$\pm (1\% + 0.05\Omega) \Delta R$
Resistance temperature Characteristic	$\pm 50\text{ppm to } 2000\Omega$
Thermal shock	$\pm (.5\% + 0.05\Omega) \Delta R$
Momentary overload	$\pm (.5\% + 0.05\Omega) \Delta R$
Dielectric	$\pm (.2\% + 0.05\Omega) \Delta R$
High temperature storage	$\pm (.5\% + 0.05\Omega) \Delta R$
Shock	$\pm (.5\% + 0.05\Omega) \Delta R$
Vibration	$\pm (.2\% + 0.05\Omega) \Delta R$
Terminal strength	$\pm (.2\% + 0.05\Omega) \Delta R$



STANDARD CONFIGURATIONS AND ELECTRICAL SPECIFICATIONS:

TEPRO TYPE	WATTS	RESISTANCE RANGE (Ohms)	DIMENSIONS Inches															
			A	B	C	D	E	F	G	H	J	K	L	M	N	P	Q	R
TMG 5	15	0.05 to 20K	1.125	.490	.078	.444	.600	.266	.334	.245	.646	.094	.320	.133	.065	.050	16	.085
TMG 10	20	0.05 to 40K	1.375	.625	.094	.562	.750	.312	.438	.312	.812	.094	.406	.203	.094	.085	12	.140
TMG 25	35	0.05 to 90K	1.938	.781	.172	.719	1.062	.438	.531	.391	1.094	.125	.562	.281	.094	.085	12	.140
TMG 50	50	0.05 to 250K	2.781	.844	.188	1.562	1.938	.438	.594	.422	1.156	.125	.625	.312	.094	.085	12	.140



TEPRO

P.O. BOX 1260 • CLEARWATER, FL 33757